

Parts Catalog



Model G12

SLICING MACHINES

MODELS: G10, G12 & G12A

09-01-10

IMPORTANT!

TO EXPEDITE SHIPMENT OF PARTS, ALWAYS SPECIFY MODEL, REV,
PART NUMBER, AND SERIAL NUMBER OF SLICER.

GLOBE FOOD EQUIPMENT COMPANY

2215 East River Road
Dayton, Ohio 45439

Parts Department

Toll Free 1-800-745-6238 • Fax (937) 290-0585

E-Mail: globeinfo@globeslicers.com

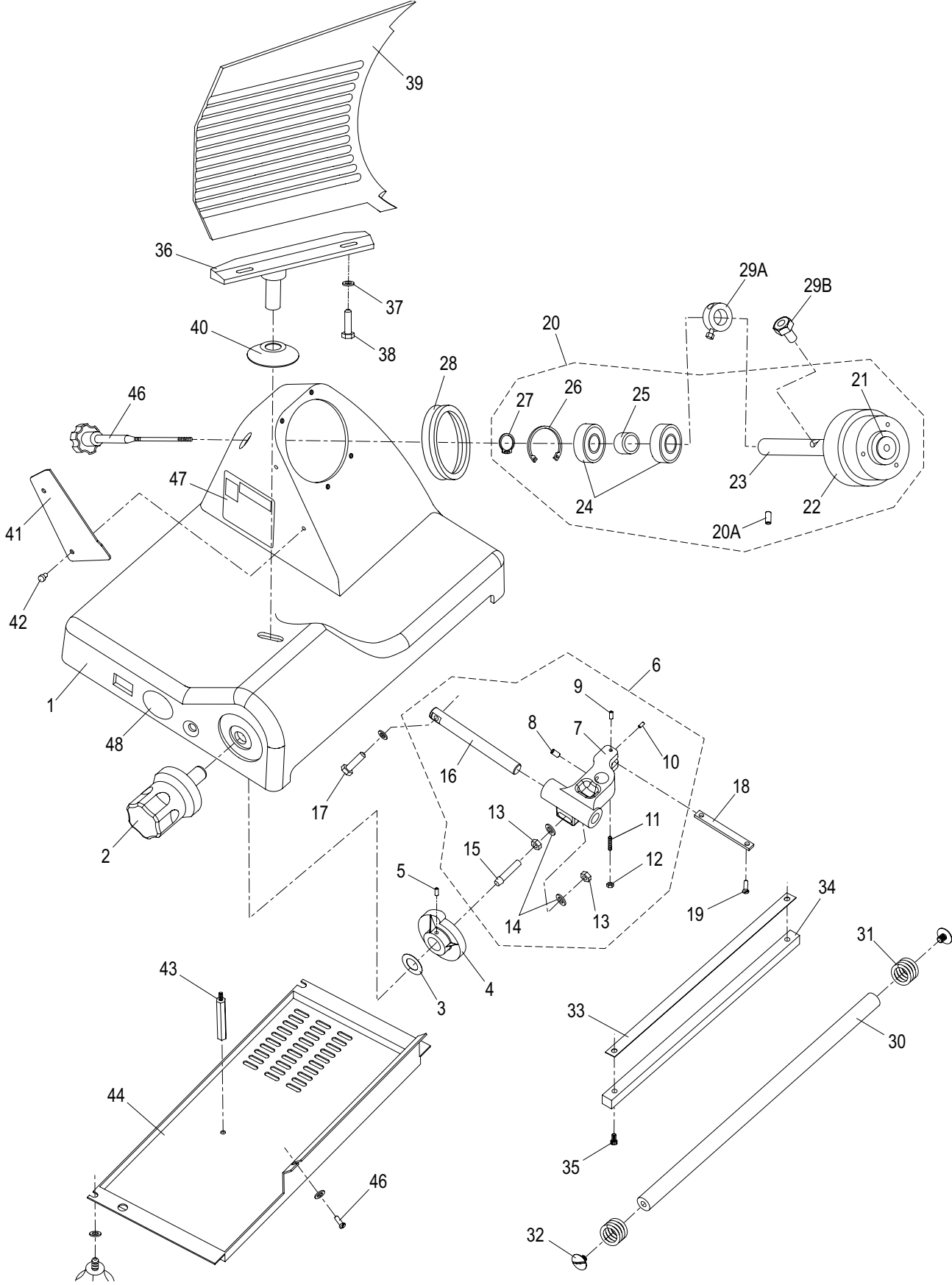
Website: www.globeslicers.com

Not for resale

TABLE OF CONTENTS

	<u>PAGE</u>
<u>BASE</u>	<u>1 - 2</u>
<u>CHUTE COMPONENTS</u>	<u>3</u>
<u>ELECTRICAL COMPONENTS</u>	<u>4</u>
<u>AUTO DRIVE COMPONENTS</u>	<u>5 - 6</u>
<u>KNIFE & SHARPENER COMPONENTS</u>	<u>7</u>
<u>SCHEMATICS</u>	<u>8</u>

SLICER MODEL G BASE COMPONENTS



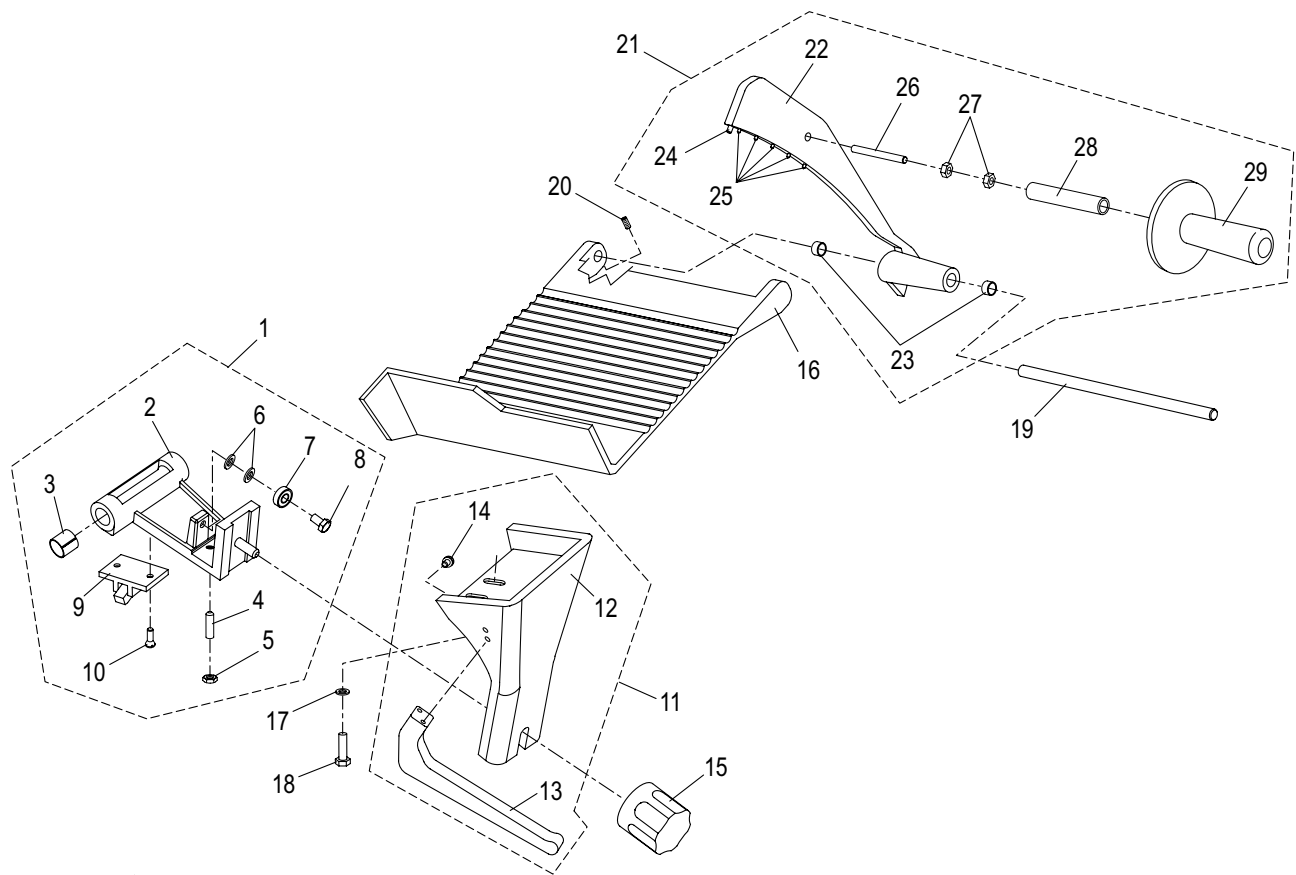
PART LIST, SLICER BASE

ITEM	DESCRIPTION	G10 P/N	G12 P/N	G12A P/N	QTY
1	Slicer Base	-	-	-	1
2	Table Adjustment Knob		MCB28		1
3	Wavy Washer		M003		1
4	Table Adjustment Cam		M004		1
*5	Set Screw		M5x10 Dog Pt		2
6	Table Slide Assembly (Item 6-16)		M305		1
7	Table Slide		M005		1
*8	Set Screw		M8x10		2
*9	Stud, threaded		M5x10		1
*10	Set Screw		M4x6 Cup Pt		1
*11	Stud, Threaded		M5x20		1
*12	Nut		5MA		2
*13	Nut		D8MA		2
*14	Flat Washer		D8		2
15	Stud, Cam Actuator		M013		1
16	Rod, Table Slide		M014		1
*17	Screw, Hex Head		M6x20		2
18	Plate, Table Slide		M016		1
*19	Screw, Cap		M5x10		2
20	**Knife Hub Assembly, Collared Microswitch (Item 21-26)	-	-		1
	Knife Hub Assembly, Bolted Microswitch (Item 21-27)	MC012	M319		
*20A	Set Screw, Knife Shaft		M6x13 Cup Pt		2
21	Oil Seal	-	MR12/7		1
22	Knife Pulley	-	-		
23	**Shaft, Knife Pulley (Knife Hub Collar)	-	-		1
	Shaft, Knife Pulley (Switch Mtg Bolt)	-	-		
24	Bearing		M020		2
25	Bushing (Spacer)	-	M021		1
*26	Retaining Ring, Internal		47mm DIN 472		1
*27	Retaining Ring, External		20mm DIN 471		1
28	Motor Seal		MG177/5		1
**29A	Collar, Knife Hub (Use with old style Shaft)	MCB61	M025		1
29B	Bolt, Microswitch Mounting	MRB21	MCR61		
30	Slide Bar, Round		M059		1
31	Spring, Slide Bar	MCR27	M061		2
32	Screw		M060		2
33	Wear Strip, Square Slide Bar		M063		1
34	Slide Bar, Square		M062		1
*35	Screw		M6x20		2
36	Table Support	M069		M069A	1
*37	Flat Washer		D8		2
*38	Screw, Hex Head		M8x30		2
39	Table	MCB3		M072	1
40	Cover, Hole - Base		M073		1
41	Knife Wiper	MCRB22		M097	1
*42	Thumb Screw, Knife Wiper		M5x10 Thumbscrew		2
43	Standoff	M043		-	1
44	Cover, Bottom	M113		M119BA	1
45	Foot		M115		4
46	Knife Cover Release Knob		MCR15/2		1
47	Label, Warning		M91022		1
48	Label, Logo		M91021		1
49	Data Plate (Not shown)	-	-	-	1

* Standard hardware

** Collar used prior to S/Ns G10: 400245, G12: 501463 & G12A: 600127.

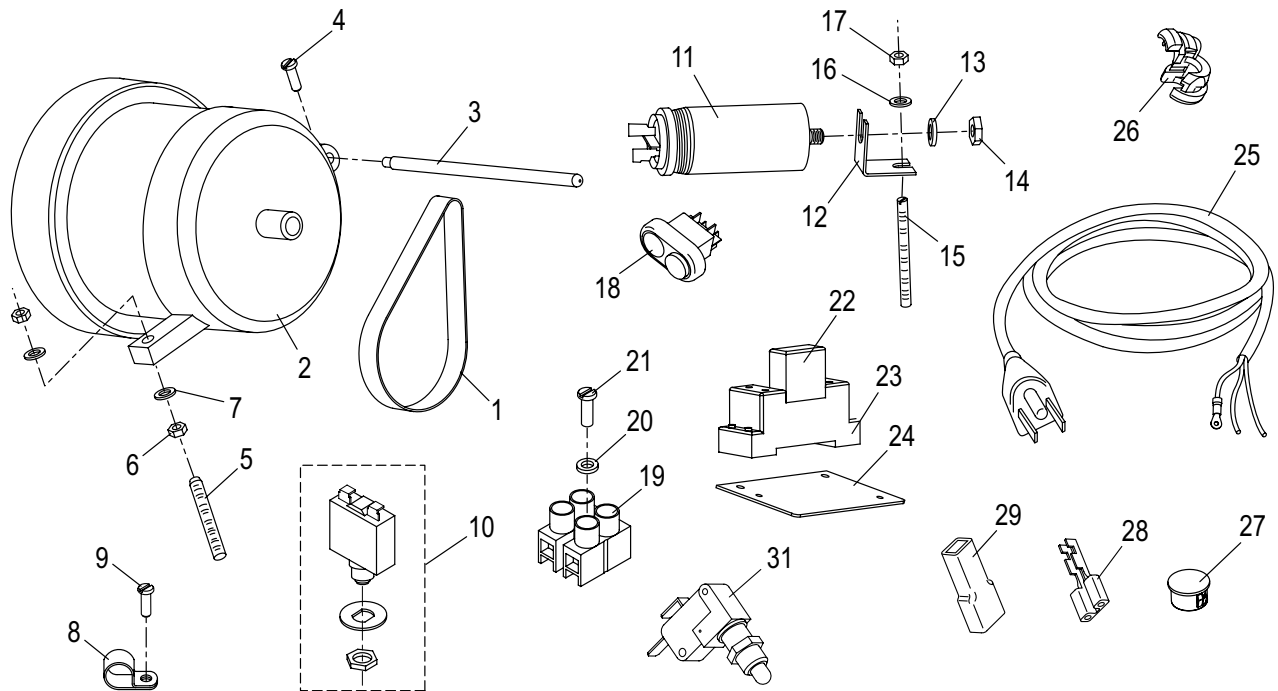
CHUTE COMPONENTS



ITEM	DESCRIPTION	G10 P/N	G12 P/N	G12A P/N	QTY
1	Chute Slide Assembly (Item 2-8)	M352		M352BA	1
2	Chute Slide	-		-	1
3	Bushing, Chute Slide Assembly		M057		2
4	Stud		M053		1
*5	Nut		8MA		1
*6	Flat Washer		D8		2
7	Bearing		M056		1
*8	Screw, Hex Hd		M8x20		1
9	Chute Slide Coupling	-		M143	1
*10	Screw	-		M5x15	2
11	Chute Support Assembly		M066		1
12	Chute Support		M066-1		1
13	Handle, Chute Support		M067		1
*14	Cap Screw, Chute Handle		M6x12		2
15	Chute Support Knob		MCB42		1
16	Chute	MCB6USA		M099	1
*17	Flat Washer, Chute Mounting		D8		2
*18	Screw, Chute Mounting		M8x20 Hex Hd		2
19	Rod, End Weight		M102		1
*20	Set Screw, End Weight Rod		M5x6 Cup Pt		1
21	End Weight Assembly (Item 22-29)	MC011	MC014	MC015	1
22	End Weight		-		1
23	Bushing, End Weight		-		2
24	Spacer, End Weight		M108		1
25	Prong, End Weight		-		5
*26	Stud, Endweight Handle		M10x100		1
*27	Nut, Handle Extension		10MA		2
28	Tube, Handle Extension		-		1
29	Handle, End Weight		MCC40/1		1

* Standard hardware

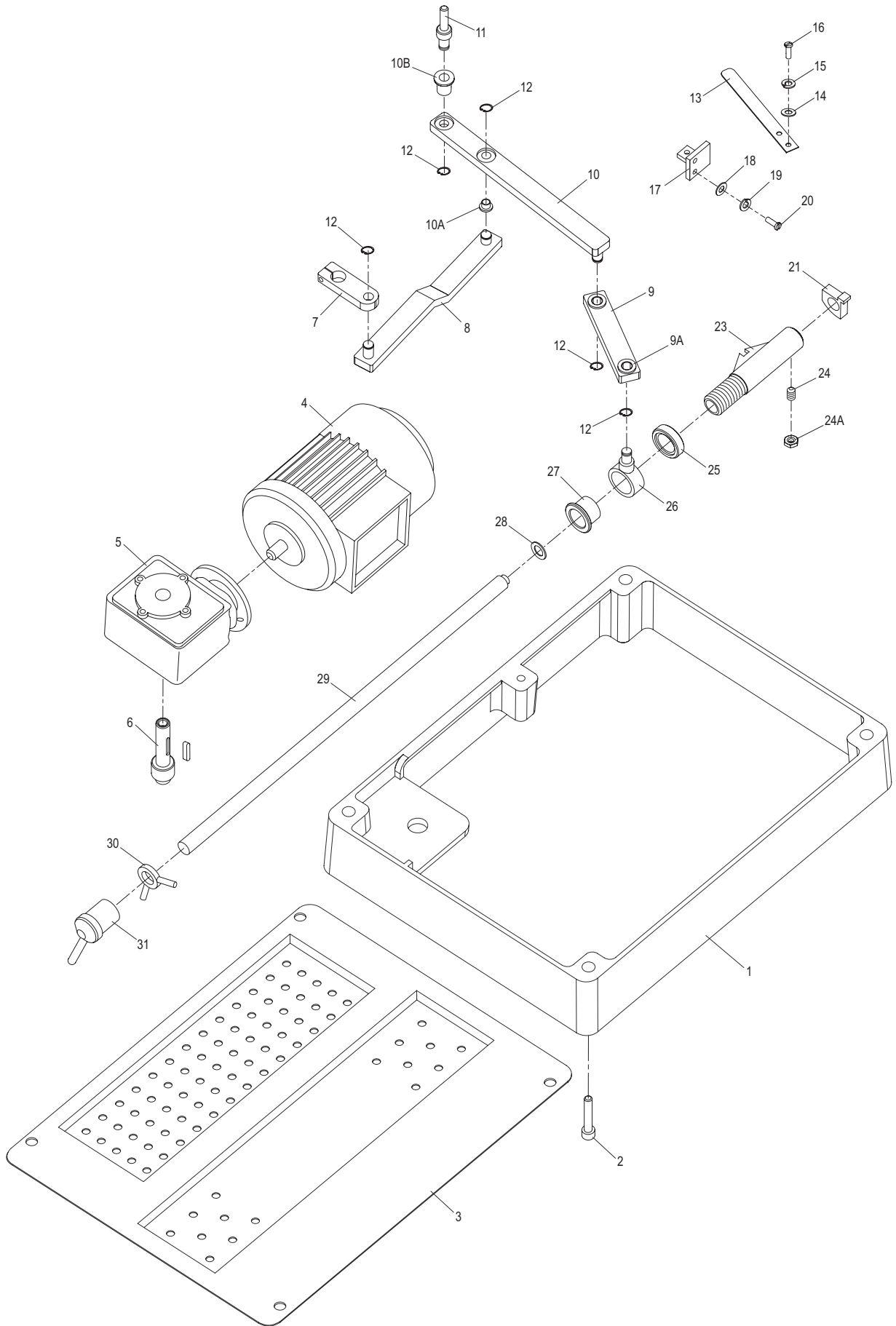
ELECTRICAL COMPONENTS



ITEM	DESCRIPTION	G10 P/N	G12 P/N	G12A P/N	QTY
1	Drive Belt	MCC51		M024	1
2	Knife Motor	MCR43/2		M030	1
3	Post, Motor Pivot		M031		1
*4	Screw		M4x10		1
*5	Stud		M6x50		1
*6	Nut		M6		2
*7	Flat Washer		D6		2
8	Cable Clamp		M037		1
*9	Screw, Cable Clamp Mounting		M5x10		1
10	Switch, Motor Reset		M038		1
11	Capacitor, 16 μ f		M039		1
12	Bracket, Capacitor Mounting		-		1
*13	Washer		D8		1
*14	Nut		M8		1
*15	Stud		M5 x 60		3
*16	Flat Washer		D5		3
*17	Nut		M5		1
18	Power Switch	MCR69		MCB58	1
19	Terminal Block		MB80/2		1
20	Flat Washer		D6		1
21	Screw, Terminal Block Mounting		M5 x 10		1
22	Relay	MCR75		MCRS75	1
23	Relay Mount	MCR76		MCRS76	1
24	Plate, Relay Mounting		-		1
25	Power Cord & Plug		M110		1
26	Strain Relief		M111		1
27	Hole Plug		-		1
*28	Terminal, Female		1/4 FEM QD		8
29	Terminal Insulator		-		8
*30	Screw, Ground (Green, not shown)		M5x8		1
31	Microswitch, Interlock		M026		1

* Standard hardware

AUTO DRIVE COMPONENTS (G12A)

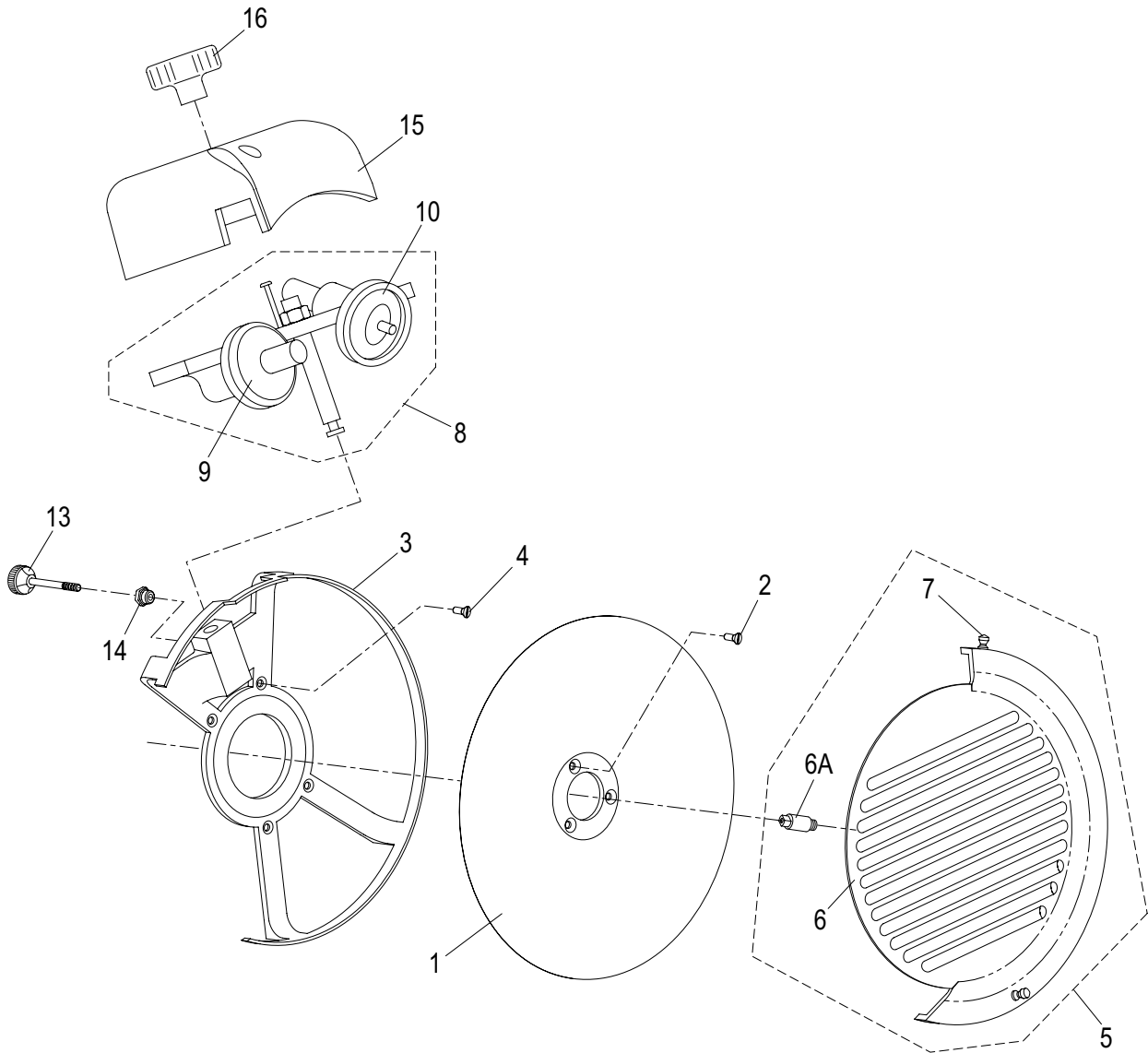


AUTO DRIVE PARTS LIST

ITEM	DESCRIPTION	G12A P/N	QTY
1	Apron	M118BA	1
2	Screw, Apron Mounting	M148	4
3	Bottom Cover	M119BA	1
4	Chute Motor	M120	1
5	Reducing Gear	M121	1
6	Auto Drive Shaft	M129	1
7	Auto Drive Coupling	M130	1
8	Connecting Rod A	M131	1
9	Connecting Rod B	M132	1
9A	Bushing	M137	2
10	Connecting Rod C	M133	1
10A	Bushing	M137	1
10B	Bushing	MCRS8	1
11	Pivot	M144	1
*12	Retaining Ring	9mm DIN 471	5
13	Engagement Spring	M134	1
*14	Flat Washer	D5	2
*15	Lock Washer	M5	2
16	Screw, Engagement Spring Mtg	M017	2
17	Mounting Brkt, Engagement Spring	M135	1
*18	Flat Washer	D5	2
*19	Lock Washer	M5	2
*20	Screw, Engagement Spring Mtg Brkt	M5x15	2
21	Cam	M136	1
*22	Set Screw, Cam (Not shown)	M5x6 Cup Pt	1
23	Tube, Chute Slide	M122	1
24	Stud, Chute Slide	M126	1
*24A	Jam Nut	M10x1.25	1
25	Nut, Chute Slide (Nylon)	M123	1
26	Ring, Actuator Slide	M124	1
27	Bushing, Chute Slide	M125	1
28	Wavy Washer	M145	1
29	Rod, Chute Slide	M127	1
30	Stop Ring	M147	1
31	Lever, Auto Engage	M128	1

* Standard hardware

KNIFE AND SHARPENER COMPONENTS



ITEM	DESCRIPTION	G10 P/N	G12 P/N	G12A P/N	QTY
1	Knife	MCB13	M047		1
*2	Screw, Flat Hd		M5x14 TSC		3
3	Knife Rim Guard	MCRB14/1	M044		1
*4	Screw, Rim Guard Mounting	-	M4x10		3
5	Knife Cover Assembly (Items 6 - 7)	MCR4/1	M349		1
6	Knife Cover		-		1
6A	Stud, Knife Cover	-	M049A		1
7	Knife Cover Knob		MC003		2
8	Knife Sharpener Assembly		MC017		1
9	Deburring Stone		M092		1
10	Sharpening Stone		MCC17		1
*11	Flat Washer, Stone Mounting (Not Shown)		D6		2
*12	Jam Nut, Stone Mounting (Not Shown)		M6		4
13	Knob, Sharpener Adjustment		M096		1
14	Stud, Knife Ring Guard		M045		1
15	Sharpener Cover		M074		1
16	Knob, Sharpener Cover		M075		1

* Standard hardware

WIRING DIAGRAMS - 115V, 50/60/Hz, 1 PH

