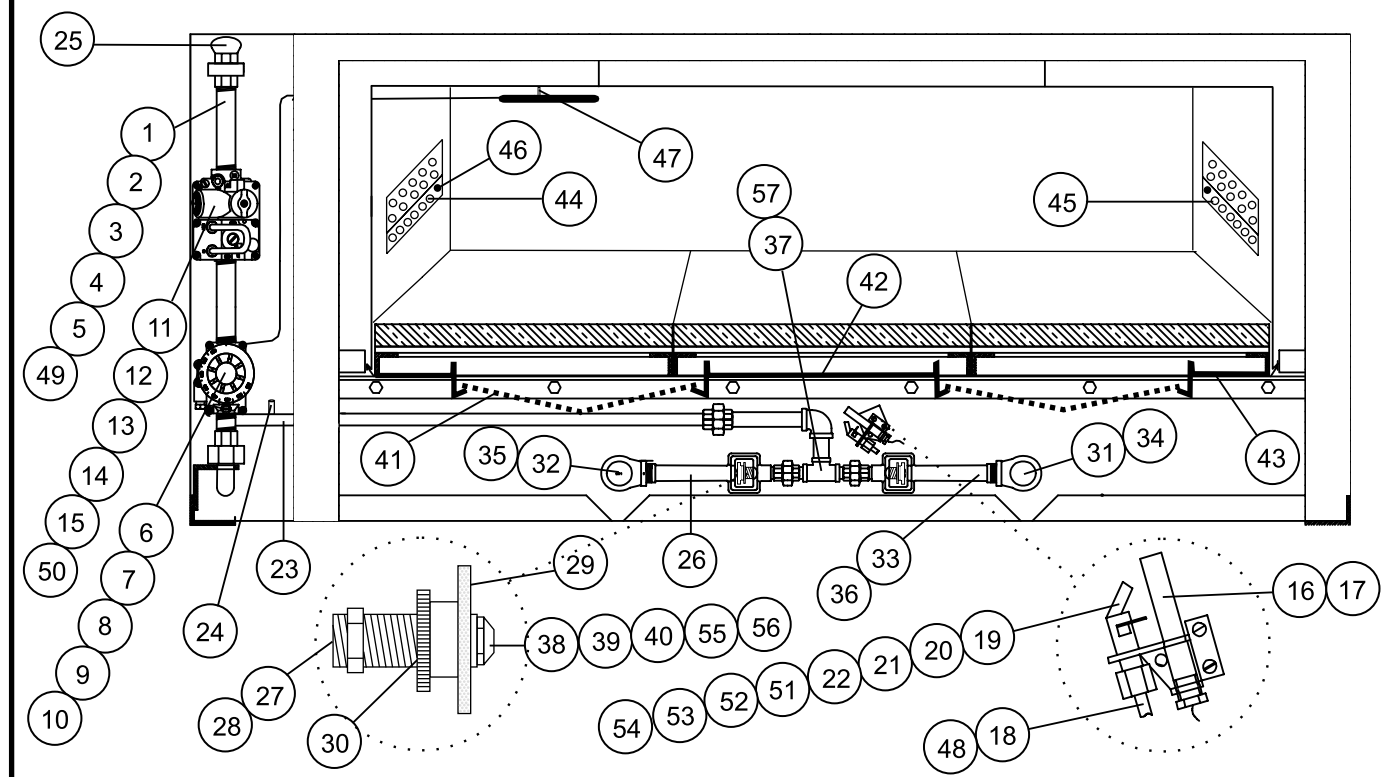


**Figure B Controls / Interior Components**



Item	Part #	Description	Item	Part #	Description
1	* M1298P	Control Assy, Nat (w/BGOR Valve)	25	R1061P	Gas Inlet Assy
2	* M1299P	Control Assy, LP (w/BGOR Valve)	26	L5001X	Inspirator #3
3	* M1300P	Control Assy, CE, Nat (w/BGOR Valve)	27	R3007X	Spud Assy #3
4	M1242X	Control Assy, Nat (End 8/98, SN14164) BMVR	28	R3004A	Spud Holder #3
5	M1248X	Control Assy, LP (End 8/98, SN14164) BMVR	29	R3005A	Adjusting Disc, #3
6	M1005X	Thermostat, Gas, FDTH (650F)	30	R3006A	Locking Disc, #3
7	S1056X	Knob, Thermostat, 650F	31	L5075X	Burner w/Cap & Elbow, Right (13 1/2" C-Ovr)
8	S1163X	Knob, Thermostat, CE, 340C	32	L5076X	Burner w/Cap & Elbow, Left (13 1/2" C-Ovr)
9	M1390X	Thermostat, High Heat, Elec (Opt.)	33	L5085P	Burner, Complete (13 1/2" C-Ovr)
10	S1207X	Knob, Thermostat, High Heat (1-10)	34	L5016X	Burner w/Cap & Elbow, Right (15" C-Ovr)O/S
11	* R3152X	Valve, Nat, BGOR	35	L5015X	Burner w/Cap & Elbow, Left (15" C-Ovr)O/S
12	* R3154X	Valve, LP, BGOR	36	L5008X	Burner, Complete (15" C-Ovr)O/S
13	* R3156X	Valve, Nat, CE, BGOR	37	N3063X	Manifold Tee Assy (27 1/2")
14	R3104X	Valve, BMVR, Nat (End 8/98, SN14164)	38	R3129X	Orifice, LP, #43 Drill (2)
15	R3124X	Valve, BMVR, LP (End 8/98, SN14164)	39	R3117X	Orifice, Nat, #25 Drill (2)
16	M1296X	Thermocouple, T46 (72")	40	R3008X	Orifice, Blank - Not drilled
17	M1265X	Thermopile (End 8/98, SN14164)	41	A3079X	Flame Diverter, Slide Out (2)
18	R3035X	Pilot Tubing, S/S, 3/16" x 60"	42	A4063X	Flame Diverter, Center (1)
19	M1220X	Pilot Burner, Natural, w/Ftgs, 2 CHA-1	43	A4107K	Flame Diverter, Side (2)
20	M1222X	Pilot Burner, LP, w/Fittings, 2 CHA-1	44	A4584T	Flue Slide Assy, Lower, Left
21	M1244X	Orifice, Pilot, Nat, 2 CHA-1 (.018")	45	A4585T	Flue Slide Assy, Lower, Right
22	M1245X	Orifice, Pilot, LP, 2 CHA-1 (.010")	46	S1010X	Knob, Flue Slide
23	R1057P	Manifold Assy	47	Q4021X	Capillary Clip
24	N3068P	Pressure Tap Nozzle Assy	48	R3182A	Ball Sleeve, Annealed (Ferrule)

\* **Discontinued 7/00.** Substitute BMVR parts listed above. ALWAYS INCLUDE #M1265X Thermopile.

**Older Y-600's Equipped w/FMEA Valve (End: 10/94, SN 12333)**

49	M1064X	Control Assy, Nat or LP (Union to Union)	55	R3009X	Orifice #28, Nat (5"WC)
50	M1004X	Valve, FMEA (Thermocouple Included)	56	R3129X	Orifice #43, LP (10"WC)
51	M1054X	Pilot Burner, Nat, w/Fittings, #11E	57	N3060P	Manifold Tee Assy (32 1/2")
52	M1055X	Pilot Burner, LP, w/Fittings, #11E	N/S	R3001X	1/2" Gas Valve w/Handle
53	M1056X	Pilot Orifice, Nat (.018")	N/S	S1001T	Handle, 1/2" Gas Valve
54	M1057X	Pilot Orifice, LP (.010")			



30 Pine Street • New Rochelle • New York • 10801  
 914 / 576 - 0200  
 914 / 576 - 0605 fax  
 1 - 800 - 431 - 2745 US & Canada  
 www.bakerspride.com web address

**Y-600**  
 Gas Deck Oven

**PARTS LIST**

*SuperDeck 6*  
 GAS PIZZA SERIES



Model Number: **Y-600**

Type of Gas

Serial Number \_\_\_\_\_

Natural

L.P.

Other

# Y-600

Gas Deck Oven

30 Pine Street • New Rochelle • New York • 10801

914 / 576 - 0200

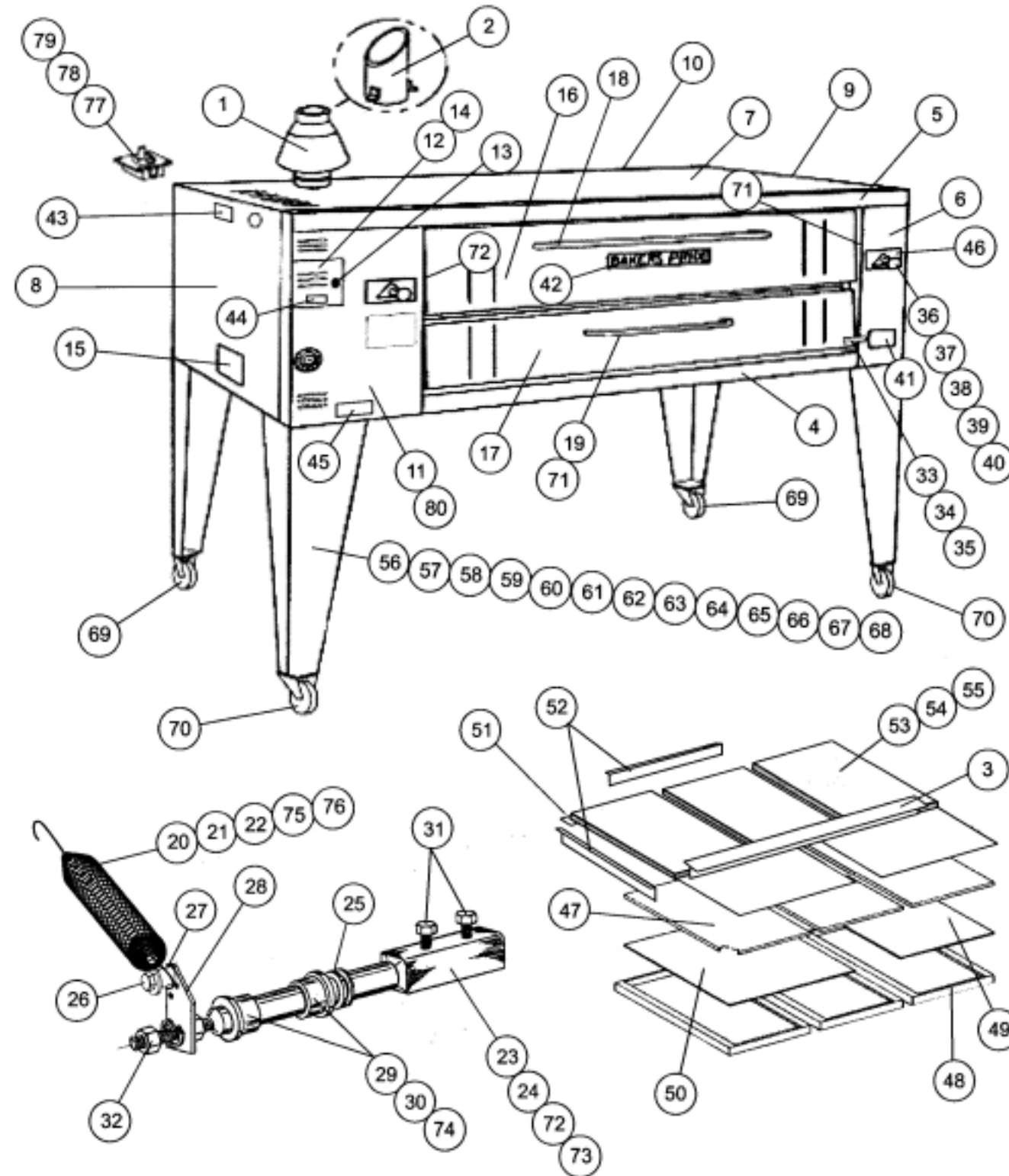
914 / 576 - 0605 fax

1 - 800 - 431 - 2745 US & Canada

www.bakerspride.com web address



Figure A Exterior / Decks / Doors



Item	Part #	Description	Item	Part #	Description
<b>Exterior / Decks / Door</b>					
1	R3002Y	Flue Diverter, Direct Vent	38	Q2217A	Bolt, Push-Pull Rod (1)
2	R3115Y	Flue Diverter, Collection Hood	39	Q2306A	Nut, Push-Pull Rod (2)
3	A1153X	Hearth Trim Assy, S/S	40	Q3009A	Flat Washer, Push-Pull Rod (2)
4	A4001X	Bottom Apron, S/S	41	U1041A	Plate, Minimum Clearance
5	A4002X	Top Trim, S/S	42	U1043X	Bakers Pride Logo, (13 3/4")
6	A4005X	Front Panel, Right, S/S	43	U1210A	Label, Warning
7	A4007X	Outer Top, S/S	44	U1230A	Label, Inst. Under Vent Hood
8	A4011X	Outer Side, Left, S/S	45	U1240A	Label, Unit For Use Only With....
9	A4015X	Outer Side, Right, S/S	46	U1224A	Plate, Push-Pull
10	A4027U	Outer Back Assy, S/S	47	A4092X	Air Pan Assy, 20" x 36" (Set/3)
11	A4120X	Control Panel Assy, S/S	48	A4103T	Hearth Frame Assy, 20" (3)
12	A4129X	Combination Valve Door Assy, S/S	49	A4132A	Hearth Liner Sheet, Lg, 36" (2)
13	S1153X	Knob	50	A4133Z	Hearth Liner Sheet, Sm, 20 3/4" (3)
14	S3203X	Latch Assy, Magnetic	51	A4140Z	Shim, Hearth (each)
15	K1116X	Access Cover S/S, Left	52	K1099K	Wedge, Hearth, 30" (2)
16	A4136T	Door Assy, Top	53	T1118Y	Hearth Baking Deck, 20x36x1 1/2 (ea)
17	A4128X	Door Assy, Bottom	54	T1118X	Hearth Baking Deck, 20x36x1 1/2 (Set/3)
18	S1196X	Handle w/2 Screws, Top Door (30")	55	T1008A	Hearth Fire Brick, 12x12x1 1/2 (ea)
19	S1002X	Handle w/2 Screws, Bottom Door (17 1/2")	56	S1018Y	Legs, 12" (Set/4, w/Bolts)
20	S3003X	Spring, Top Door, 1 1/8" x 9 3/4"	57	S1018T	Leg, 12" (ea)
21	S3004X	Spring, Bottom Door, 13/16" x 6 3/4"	58	S1003Y	Legs, 16" (Set/4, w/Bolts)
22	A1428X	Spring Retro Kit (O/S to N/S Door)	59	S1003X	Leg, 16" (ea)
23	S3040W	Door Rod Assy, Left Side (3/4" x 14 1/2")	60	S1004Y	Legs, 30" (Set/4, w/Bolts)
24	S3040X	Door Rod, Left Side (3/4" x 14 1/2")	61	S1004X	Leg, 30" (ea)
25	Q3024X	Spacer Kit, Door Rod	62	S1039Y	Legs, 38" (Set/4, w/Bolts)
26	Q2301X	Shoulder Bolt, 3/8-16 x 1"	63	S1039T	Leg, 38" (ea)
27	S3007X	Teflon Bushing Assy	64	Q2102A	Bolt, Leg, 1/2-13 x 1 (ea)
28	S3056X	Lever, Door Spring (3 1/2")	65	S1076X	S/S Leg Wrap, 12" (Set/2)
29	S3135X	Bushing w/Insert, Door Rod (3/4")	66	S1077X	S/S Leg Wrap, 16" (Set/2)
30	S3133X	Insert Only (Duralon)	67	S1078X	S/S Leg Wrap, 30" (Set/2)
31	Q2303X	Bolt, Door Rod, 3/8-16 (2)	68	S1079X	S/S Leg Wrap, 38" (Set/2)
32	Q2401X	Nut, Door Rod (9/16-18)	69	S1022X	Caster, No Lock (ea)
33	S3009X	Pin, Door, Right Side (9/16"-18 x 3")	70	S1023X	Caster, w/Lock (ea)
34	S3138X	Sleeve Assy, Door Pin	71	A4286K	Door Seal, R.H.
35	Q3023X	Spacer Kit, Door Pin	72	A4287K	Door Seal, L.H.
36	S3036X	Push-Pull Rod	N/S	M1002X	Automatic Oven Starter (7 Day Timer)
37	S1005X	Knob, Push-Pull, 3/8"-16			
<b>Older Y-600's Equipped w/FMEA Valve (End: 10/94, SN 12333)</b>					
71	S1002X	Top & Bottom Door Handle (17 1/2")	76	S3003X	Spring, Bottom Door, o/s, 1 1/8" x 9 3/4"
72	S3018X	Door Rod Only, 9/16" (Before SN 6923/C2245)	77	M1008X	Pressure Reg, Nat, 5"WC (140,000 BTU)
73	S3018W	Door Rod Complete, 9/16" (Before SN 6923/C2245)	78	M1184X	Pressure Reg, Nat, 3.5"WC (120,000 BTU)
74	S3008X	Door Rod Bushing, 9/16" (Before SN 6923/C2245)	79	M1009X	Pressure Reg, LP, 10"WC
75	S3002X	Spring, Top Door, O/S, 1 3/8" x 11 5/8"	80	A4003X	Control Panel, S/S, FMEA (8")
<b>Qty BGOR Conversion Kit (LP to Nat)</b>			<b>Qty BGOR Conversion Kit (Nat to LP)</b>		
2	R3117X	Orifice, Nat, #25 Drill	2	R3129X	Orifice, LP #43 Drill
1	M1297X	BGOR Valve Kit, Nat	1	M1221X	BGOR Valve Kit, LP
1	M1244X	Orifice, Pilot, Nat, 2 CHA-1 (.018")	1	M1245X	Orifice, Pilot, LP, 2 CHA-1 (.010")
<b>Qty BMVR Conversion Kit (LP to Nat)</b>			<b>Qty BMVR Conversion Kit (Nat to LP)</b>		
2	R3117X	Orifice, Nat, #25 Drill	2	R3129X	Orifice, LP #43 Drill
1	M1260X	BMVR Valve Kit, Nat	1	M1221X	BMVR Valve Kit, LP
1	M1244X	Orifice, Pilot, Nat, 2 CHA-1 (.018")	1	M1245X	Orifice, Pilot, LP, 2 CHA-1 (.010")
<b>Qty FMEA Conversion Kit (LP to Nat)</b>			<b>Qty FMEA Conversion Kit (Nat to LP)</b>		
2	R3009X	Orifice, Nat, #28 Drill	2	R3129X	Orifice, LP #43 Drill
1	M1008X	Pressure Regulator, 5"WC	1	M1009X	Pressure Reg, LP, 10"WC
1	M1056X	Orifice, Pilot, Nat, (.018")	1	M1057X	Pilot Orifice, LP (.010")