



## BARBOSS® ADVANCE®

### The Ultimate Blender For Every Beverage Program

Whether preparing blended drinks, simple syrups or purées for cocktail bases, the BarBoss Advance is an essential tool for adding or expanding a beverage program.

#### Smart Product Design

- 6 optimized programs and automatic shut-off means you can turn it on, walk away, and consistently blend beverages
- Pulse control quickly refreshes drinks for efficiency
- Advance® container creates faster, smoother pouring and has a longer blade life resulting in time and cost savings along with improved customer experience
- Advanced motor is designed to resist overheating when blending extra-thick ingredients resulting in cooler operation and enhanced reliability during peak hours of operation



Create signature drinks

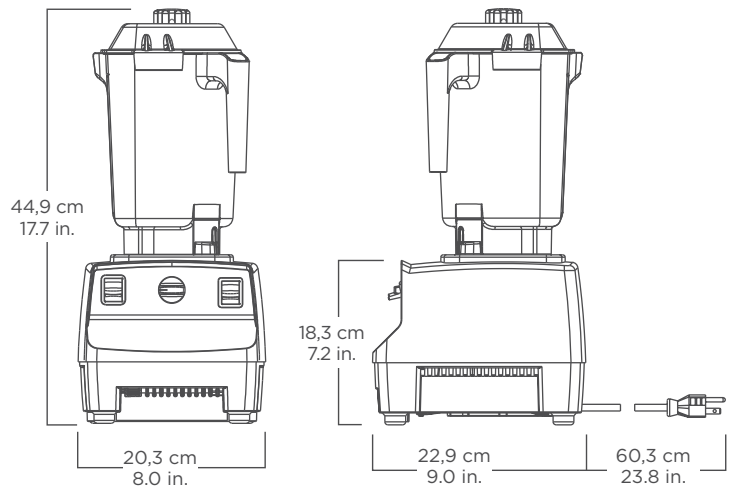
## Product Specifications

### BarBoss® Advance® Item No. 10197

Motor: ≈2 peak output horsepower motor  
 Electrical: 220 - 240 V, 50/60 Hz, 750 - 850 W  
 Pack: Includes BarBoss Advance with 0,9 L high-impact, clear/stackable Advance® container, complete with Advance blade assembly and lid, and red base.

Net Weight: 5,9 kg (6,3 kg with box)  
 Dimensions: 44,9 x 20,3 x 22,9 cm (H x W x D)

Warranty: Please contact your authorized Vitamix distributor for warranty information.



## Also Available

BarBoss Advance with Advance container  
 Item No. 10193: 120 V (EMC), 50/60 Hz, 11,5 A  
 Item No. 10195: 100 V, 50/60 Hz, 900 W

Additional containers, complete with blade assembly and lid.

Item No. 15981: Advance container 0,9 L  
 Item No. 15506: standard container 1,4 L  
 Item No. 15640: compact container 0,9 L

Item No. 15606: Software kit for customized programming.

For more information, please contact an authorized Vitamix distributor, or Vitamix international customer service.

Where applicable



## Contact Information

U.S.A., Canada & Latin America:  
 Tel: 800.4DRINK4 or 440.235.0214  
 E-mail: [foodservice@vitamix.com](mailto:foodservice@vitamix.com)

[www.vitamix.com/foodservice](http://www.vitamix.com/foodservice)

Vita-Mix Corporation  
 8615 Usher Road  
 Cleveland, OH 44138-2103 U.S.A.

Outside of U.S.A., Canada & Latin America:  
 Tel: +1.440.782.2450  
 E-mail: [international@vitamix.com](mailto:international@vitamix.com)

For more information, contact your local foodservice distributor.