

Newly Improved European Style



TB-5 / TB-5R

- Combination Bakery Case -



TCB-5R

≡ FEATURES / BENEFITS ≡

- ENVIRONMENTAL FRIENDLY, EFFICIENT REFRIGERATION SYSTEM**
 Turbo Air's refrigerators are designed with oversized and balanced environmental friendly R-134A (CFC Free) refrigeration. These include large evaporators and condensers for fast cooling and balanced temperature throughout the cabinet.
- FRAMELESS GLASS AND ELEGANT EURO DESIGN**
 The frameless all sided glass display cases provide full product visibility to optimize display effects and increase impulse sales. Its elegant contemporary euro design will not only enhance any store atmosphere but also will keep product presentation at its best and beautiful.
- LIFT-UP, PNEUMATIC CYLINDER-ASSISTED CURVED TEMPERED FRONT GLASS**
- SLOPED REAR DOORS FOR PRODUCT ACCESS**
- INDEPENDENTLY WIRED SHELF LIGHTS**
- CANTILEVERED WIRED SHELVES ADJUSTABLE UP AND DOWN, TILTED**
- 304 STAINLESS STEEL FLOOR AND AIR FLOW GRILLE**
- TB-4,5 NON REFRIGERATED MODELS AVAILABLE**
- HIGH-DENSITY POLYURETHANE INSULATION**
 The entire cabinet structure is formed-in-place using high density, CFC free polyurethane insulation.
- FOUR POINT LEVELING SYSTEM**
- EASY ACCESS CONTROL PANEL**
- REFRIGERATED BAKERY CASE HOLDS AVG. 38° F ~ 40° F FOR FRESHER BAKERY PRODUCTS**
- REAR ACCESS OF COMPRESSOR COMPARTMENT FOR QUICK AND EASY SERVICE**
- 5" CASTERS STANDARD**
- RECOMMENDED OPERATING CONDITIONS**
 TB models are designed to operate in environments where temperature & humidity do not exceed 75° F and 55% relative humidity.

Model	CU./FT.	#of Shelves	HP	AMPS	Crated Weight	L D H
TB-4	14.5	2	-	1.1	561	47 ³ / ₈ x 39 ³ / ₈ x 47 ¹ / ₄
TB-4R	14.5	2	1/2	17.2	647	47 ³ / ₈ x 39 ³ / ₈ x 47 ¹ / ₄
TB-5	18.7	2	-	1.1	640	59 ¹ / ₄ x 39 ³ / ₈ x 47 ¹ / ₄
TB-5R	18.7	2	1/2	17.2	754	59 ¹ / ₄ x 39 ³ / ₈ x 47 ¹ / ₄
TCB-5R	18.6	4	1/3	9	1,004	59 ¹ / ₄ x 39 ³ / ₈ x 49 ³ / ₈

* Height does not include 5 1/4" for caster height.

TB/TCB MODELS SPECIFICATIONS

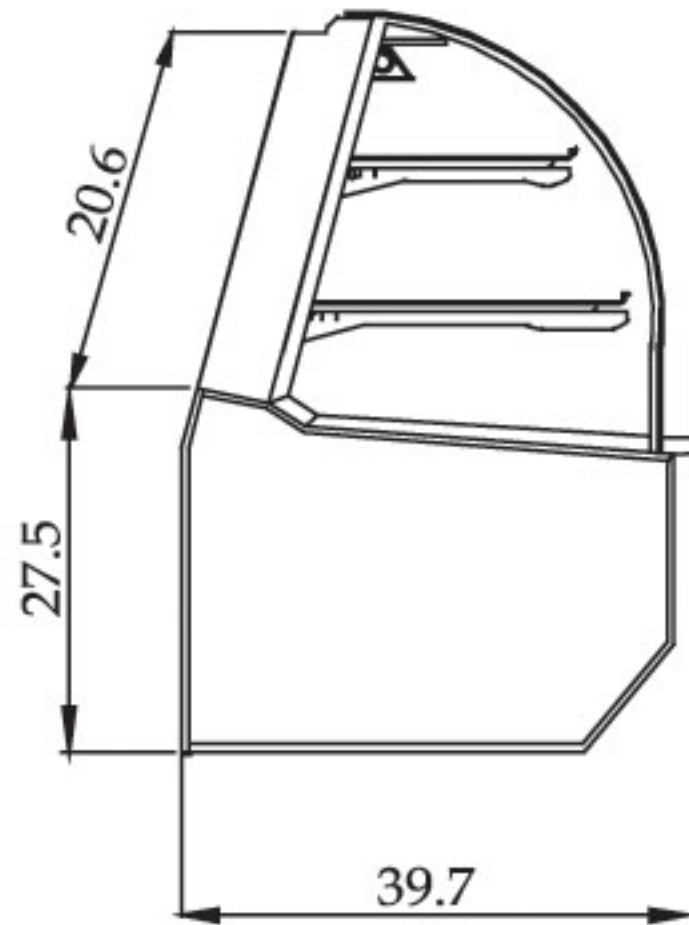
MODEL	TB-4	TB-4R	TB-5	TB-5R	TCB-5R
Exterior Dimension (LxDxH)	47 ³ / ₈ X39 ³ / ₄ X47 ¹ / ₄	47 ³ / ₈ X39 ³ / ₄ X47 ¹ / ₄	59 ¹ / ₄ X39 ³ / ₄ X47 ¹ / ₄	59 ¹ / ₄ X39 ³ / ₄ X47 ¹ / ₄	59 ¹ / ₄ X39 ³ / ₄ X47 ¹ / ₄
Interior Dimension (LxDxH)	44 ¹ / ₈ X26 ¹ / ₂ X26 ¹ / ₈	44 ¹ / ₈ X26 ¹ / ₂ X26 ¹ / ₈	55 ⁷ / ₈ X26 ¹ / ₂ X26 ¹ / ₈	55 ⁷ / ₈ X26 ¹ / ₂ X26 ¹ / ₈	59 ¹ / ₄ X39 ³ / ₄ X47 ¹ / ₄ 27 ¹ / ₈ X26 ¹ / ₂ X26 ¹ / ₈ (D) 27 ¹ / ₄ X26 ¹ / ₂ X26 ¹ / ₈ (R)
Voltage (NEMA-5-20P)	115/60/1	115/60/1	115/60/1	115/60/1	115/60/1
Amp	1.1	17.2	1.1	17.2	9
# of Shelves	2	2	2	2	4
Shelf Size	43 ⁵ / ₈ X16 ⁷ / ₈ (Top) 43 ⁵ / ₈ X25 ⁵ / ₈ (Bottom)	43 ⁵ / ₈ X16 ⁷ / ₈ (Top) 43 ⁵ / ₈ X25 ⁵ / ₈ (Bottom)	55 ¹ / ₈ X16 ⁷ / ₈ (Top) 55 ¹ / ₈ X25 ⁵ / ₈ (Bottom)	55 ¹ / ₈ X16 ⁷ / ₈ (Top) 55 ¹ / ₈ X25 ⁵ / ₈ (Bottom)	26 ¹ / ₄ X16 ⁷ / ₈ (Top) 26 ³ / ₄ X25 ⁵ / ₈ (Bottom)
Compressor (HP)	-	1/2	-	1/2	1/3
Cubic Feet	14.5	14.5	18.7	18.7	18.6(D:9.3/R:9.3)
Cord Length (ft.)	9	9	9	9	9
Plug-In	NEMA 5-20P	NEMA 5-20P	NEMA 5-20P	NEMA 5-20P	NEMA 5-20P

*Design and specifications subject to change without notice.

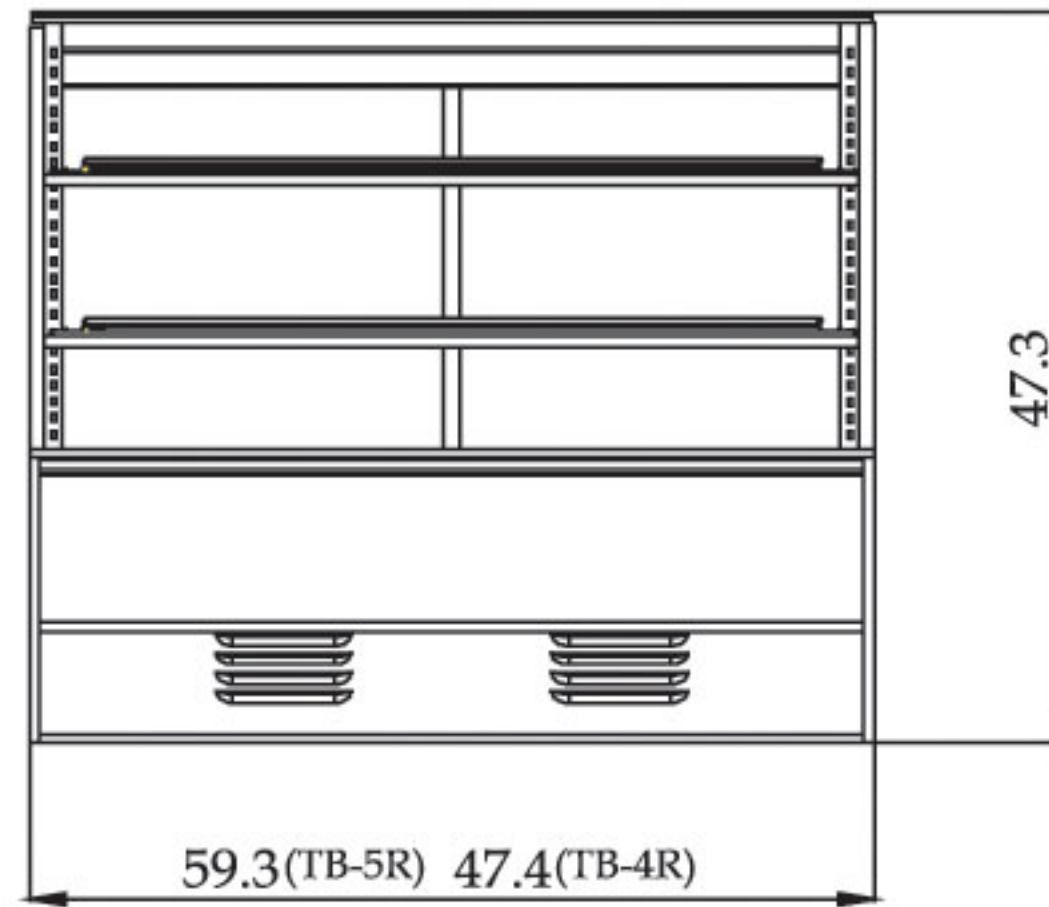
■ **WARRANTY:** 1 Year Labor and Parts Warranty
Additional 4 Years Warranty on Compressor

- SELF-CONTAINED SYSTEM, NO PLUMBING REQUIRED
- SIMPLE PLUG-IN INSTALLATION

(unit : inch)

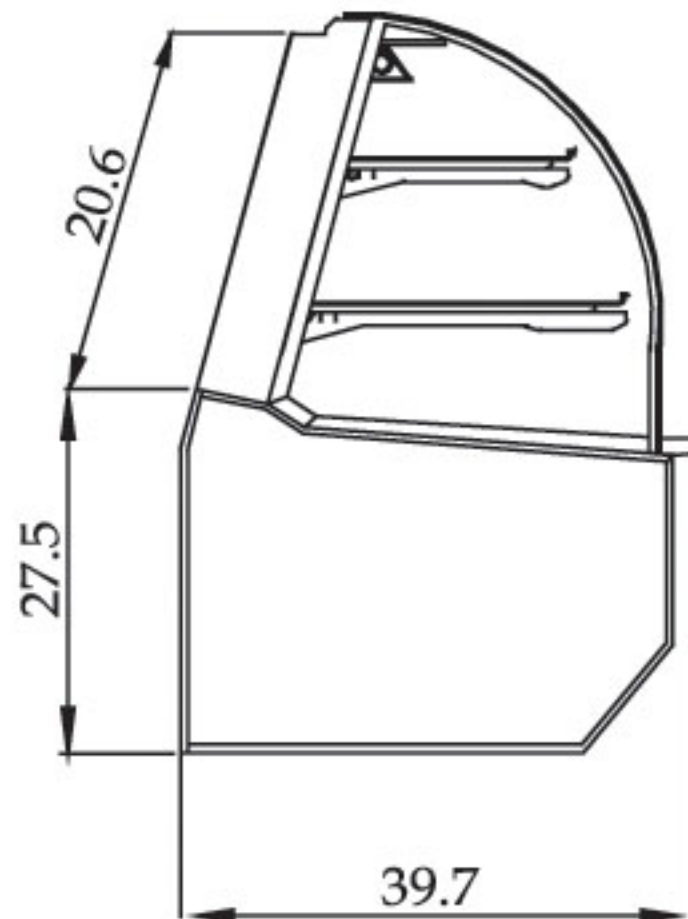


TB-4/TB-5, TB-4R/TB-5R
SIDE VIEW

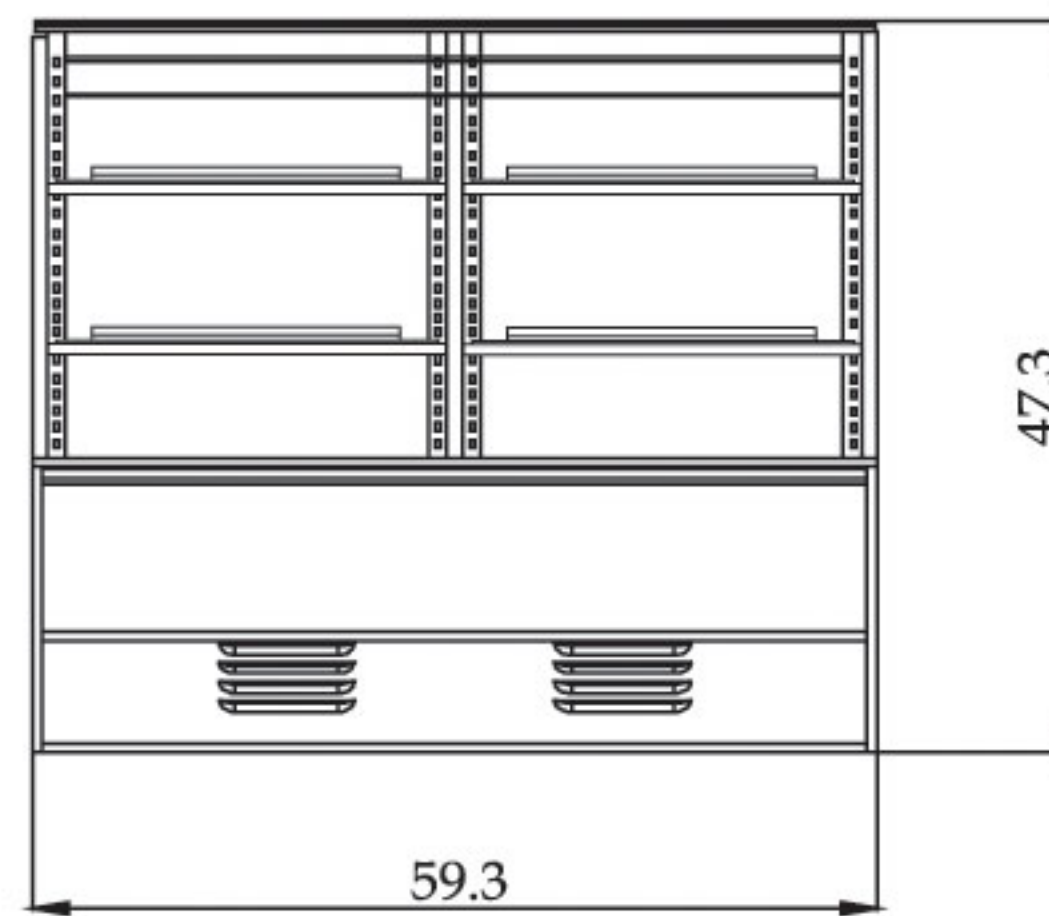


FRONT VIEW

- Combination Bakery Case -



TCB-5R SIDE VIEW



FRONT VIEW